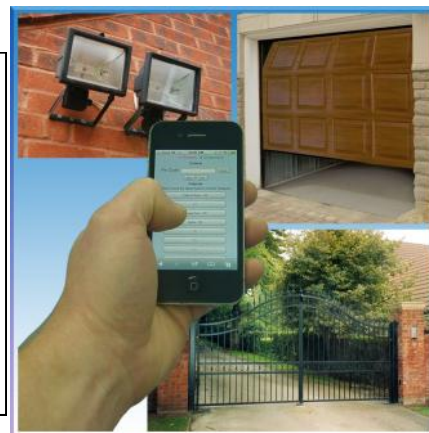


This paperwork requires the following items:

- 1 x Runner Panel**
 - 1 x IP-Module**
 - 1 x IP-Loom (connecting the IP-Module to the Runner)**
 - 1 x PC/MAC with Ethernet Port and web browser**
 - 1 x 3rd Party Router (with a spare LAN port)**
 - 1 x 3rd Party IT technician to setup the Router**
- Crow will not be able to help you configure any 3rd party hardware.



IP ADDRESS (default)
192 . 168 . 1 . 100

IP ADDRESS (custom)
. . .

This is the local address that the IP-Module can be found at. It is important that a fixed address is used, not one from the routers DHCP range.

WEB PORT (default)
80

WEB PORT (custom)

For remote connectivity and use of the Virtual terminal, this port number needs to be open in your router to incoming traffic. DON'T USE 80. You should change the default (80) *recommend 5000*

ULD PORT (default)
5001

ULD PORT (custom)

If you wish to use the Up-Load Down-load software package to remotely program the Elite-S, this port number needs to be open in your router to incoming traffic.

SYSTEM PASSWORD (default)
000000

SYSTEM PASSWORD (custom)

This is the Login password that gets you into the IP-Modules Setup web page. Your password can be 6 to 16 characters long and consist of numbers and letters (0-9, A-Z). *Note: password is case sensitive.*

VIRTUAL PASSWORD (default)
1234

VIRTUAL PASSWORD (custom)

This is the Login password that gets you into the IP-Modules Virtual Keypad web page. Your password can be 4 to 16 characters long and consist of numbers and letters (0-9, A-Z). *Note: password is case sensitive.*


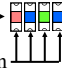
MAC ADDRESS (fixed in IP-Module)
: : : : :

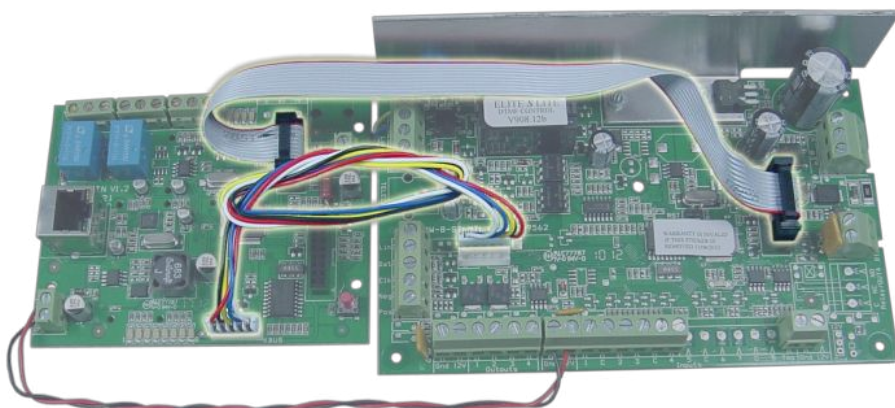
REMOTE CONNECTION ADDRESS

Please put the remote web address, you have created for the IP-Module in this box. Also include the port number if applicable. i.e. 27.543.74.756:5000 or http://alarm.dyndns.org:5000

Resetting

Warning, performing a Reset will wipe all programming fields and return the IP-Module back to factory default. This includes returning it's IP address back to (192.168.1.100).

To reset simply press and hold the reset button  until the LED turns Off. (about 5 second)  These 4 LED's will start flashing, when you press the reset button



Installation Specs:

Power Supply: 10-15 VDC 300mA (battery backup is recommended)

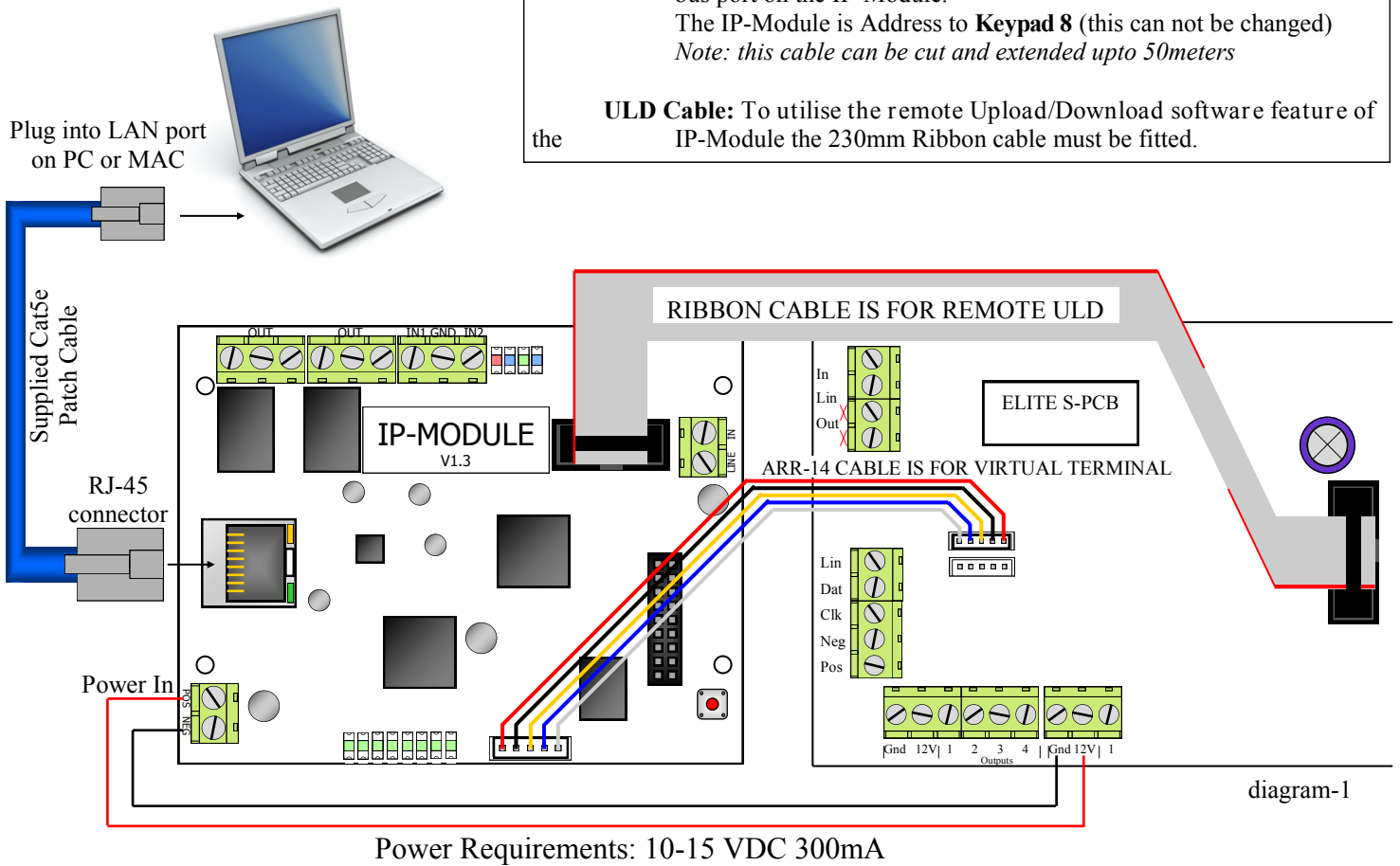
Keypad Bus: To utilise the Virtual Terminal, connect the ARR-14 300mm

5-wire cable from one of the Elite-S/S-Lite's KP bus ports to the KP bus port on the IP-Module.

The IP-Module is Address to **Keypad 8** (this can not be changed)

Note: this cable can be cut and extended upto 50meters

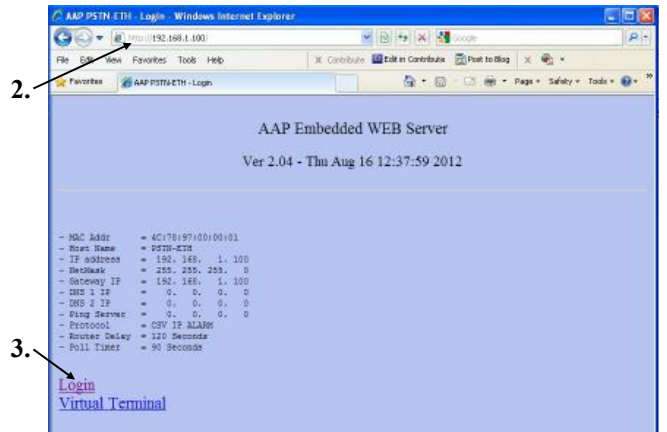
ULD Cable: To utilise the remote Upload/Download software feature of the IP-Module the 230mm Ribbon cable must be fitted.



This Part of the installation is intended to be completed by a 3rd Party IT technician.

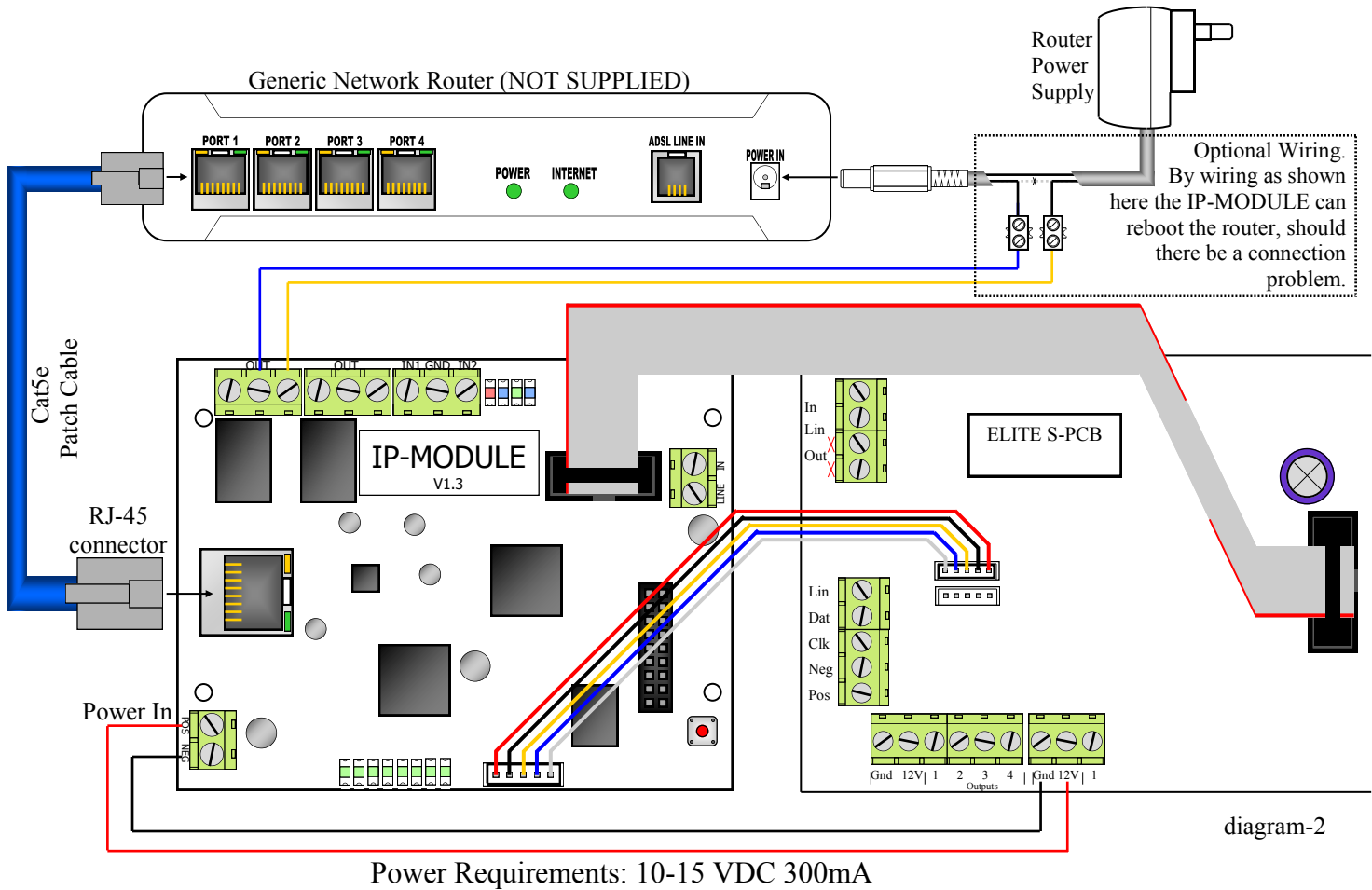
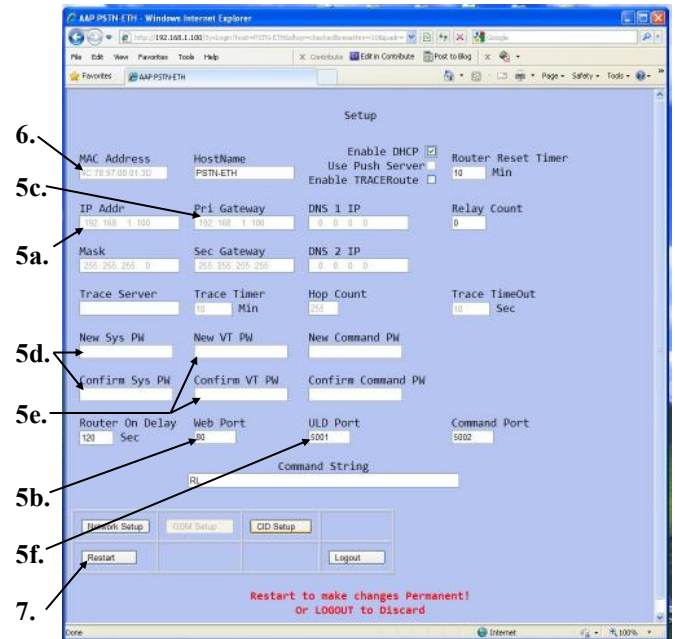
AAP will not be able to help you configure any 3rd Party hardware.

1. Connect the IP-Module as shown in diagram-1.
2. Open your Web Browser and type in the address of the IP-Module (default **192.168.1.100**) then enter
Note: your computers IP address must be in the same range.
3. Once the web page loads, click on **Login**
4. Type the System Password (default **000000**) then enter.



5. The Setup page should open.
 You can now change any information needed to suit the network
- a, IP Address
 - b, Web Port number
 - c, Gateway
 - d, System password
 - e, Virtual Terminal password
 - f, Port number for Remote Upload/Download software
- Note: if DHCP is enabled these options can not be adjusted.

- 6. Document the MAC address
- 7. Once you have made all your changes, click on Restart
- 8. You can now connect the IP-Module as shown in diagram-2.
- 9. It is now up to you to configure the 3rd Party Router.



If the IP-Module detects that the internet is not working it will turn on Relay 1 for a period of 10 seconds, if you have wired the router in as shown in diagram-2, this should cause a restart. The "Router On Delay" box allows a programmable time (default being 120 seconds) for the PSTN-Ethernet to wait for a new connection to be established. If there is no Internet connection after the 120 seconds the unit will turn on Relay 1 again repeating the process until a valid connection is re-established. If the router needs a longer period to establish a new connection the "Router On Delay" should be increased to a more suitable value.

Setup for controlling outputs from the Virtual Terminal.

Only Available on IP-Module with firm ware v2.08.* (V2.10.* and above can only use Smart-Phone App)

The Elite-S/S-Lite has upto 8 outputs that can be controlled via the Virtual Terminal.

Each output must be setup individually if you wish to control them.

The first 3 steps need to be done in Installer Program Mode of the Elite-S/S-Lite.

1. Output Options

The first thing you need to setup is giving permission for that output to be controlled by keypads. This is done at address 34. In Installer mode press **<PROGRAM> <34> <ENTER>** then choose the output **<1-8>** and **<ENTER>**, now turn ON option **<7>** and **<ENTER>**.

i.e. **P 34 E 4 E 7 E** (output 4 can is now allowed to be controlled by a keypad).

↓ address
↓ output number
↓ option to be turned On

Note: Outputs 1 & 2 are setup by default to be sirens and would not normally want to be controlled via the virtual terminal.

2. Keypad to Output Control Mapping

The keypad number of the IP-Module (fixed to No.8) must now be assigned to the output/outputs you wish to control. This is done at address 83. In Installer mode press **<PROGRAM> <83> <ENTER>** then select the keypad number **<8>** and **<ENTER>**, now choose the output/s **<1-8>** and **<ENTER>**.

i.e. **P 83 E 8 E 4 E** (the IP-Module can now control output 4).

↓ address
↓ keypad number of IP-Module
↓ output number

3. Output Reset Times

The output reset time will normally already be set, according to the device it controls. Because of the delays involved in IP-Control, if an output has a reset time of less than 2 second you will not see a triggered response in the Virtual Terminal. In Installer Mode press **<PROGRAM> <40> <ENTER>** then the output you wish to change **<1-8>** and **<ENTER>** now put in the new reset time **<0-9999>** and **<ENTER>**.

i.e. **P 40 E 4 E 2 E** (output 4 reset time is now 2 seconds, recommend for garage door control).

↓ address
↓ output number
↓ new time in seconds

The next part of the setup is done through the IP-Modules web page and will require a 3rd Party IT Technician.

1. Open your web browser: Internet Explorer, Safari, Fire-Fox or Google Chrome
2. Type into your Web Browser the address where the IP-Module can be found.
3. Click on Login, when the page loads put in the System Password and press Enter
4. Once logged in click on Outputs Setup
5. Now tick the boxes referring to the outputs you wish to view and/or control
You can also custom change the names of the Outputs.
6. Once you have made your changes click on Restart
7. This time click on Virtual Terminal, when the page loads put in the Virtual Password and press Enter
8. the Outputs you selected should now be labelled and in Bold.

If you click on one of those output boxes it should change to Green and say On

2. Login

3. Virtual Keypad

4. Outputs Setup

5. Restart

6. Restart

7. Virtual Keypad

8. Restart